

WELCOME



A HISTORY OF INNOVATION AND EXECUTION

Oxy formed 1PointFive to develop and deploy integrated carbon management solutions

- 50+ years of carbon management experience
- Experts in CO₂ transportation, utilization, and storage
- Decades of experience developing successful multi-billion-dollar projects
- 1PointFive will leverage Oxy's expertise in reservoir and carbon management



ZERO IN™



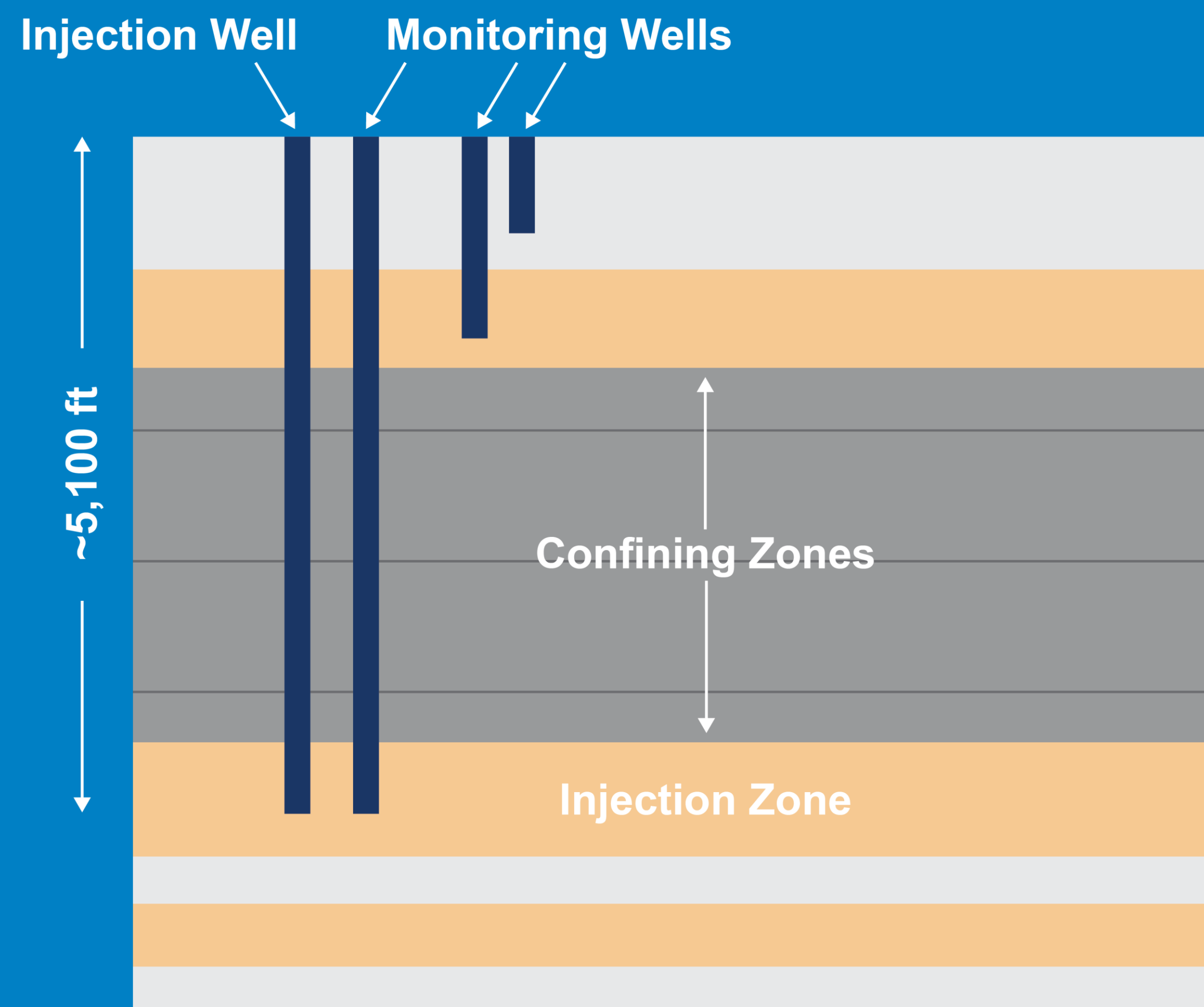
PROJECT LOCATION AND OVERVIEW

- Located about 20 miles southwest of Odessa
- Project is in a remote area, over six miles from the nearest home
- Three CO₂ injection wells will be drilled to approximately 5,000' below the earth's surface
- We plan to conduct injection operations for 12+ years with long term post-injection site care
- Five planned monitor wells (three already drilled)
- No existing drinking water wells in the Area of Review
- Adjacent to Stratos Direct Air Capture Facility

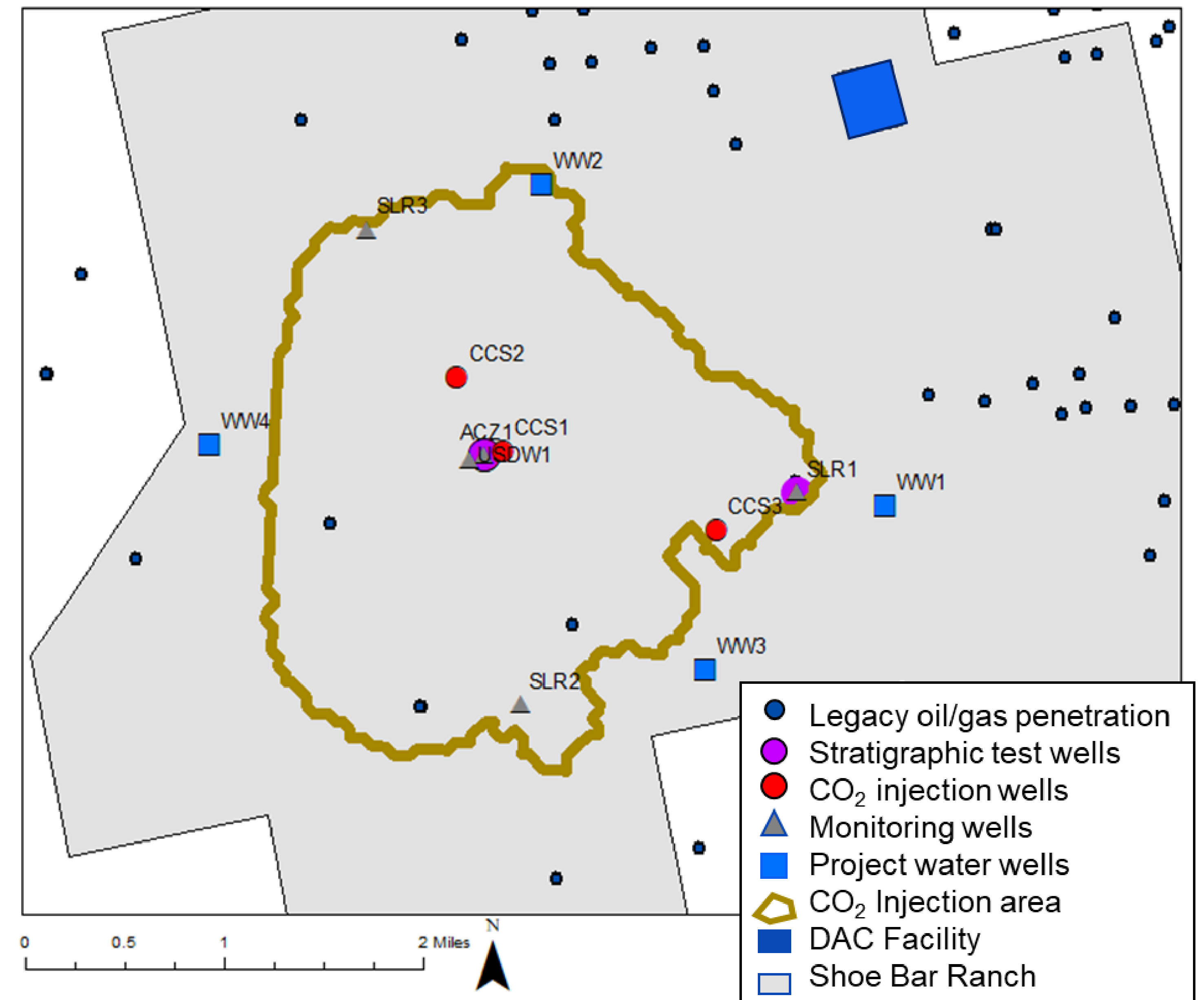


THE CO₂ STORAGE SITE

Our team of experts have carefully evaluated and selected the site to safely secure CO₂.

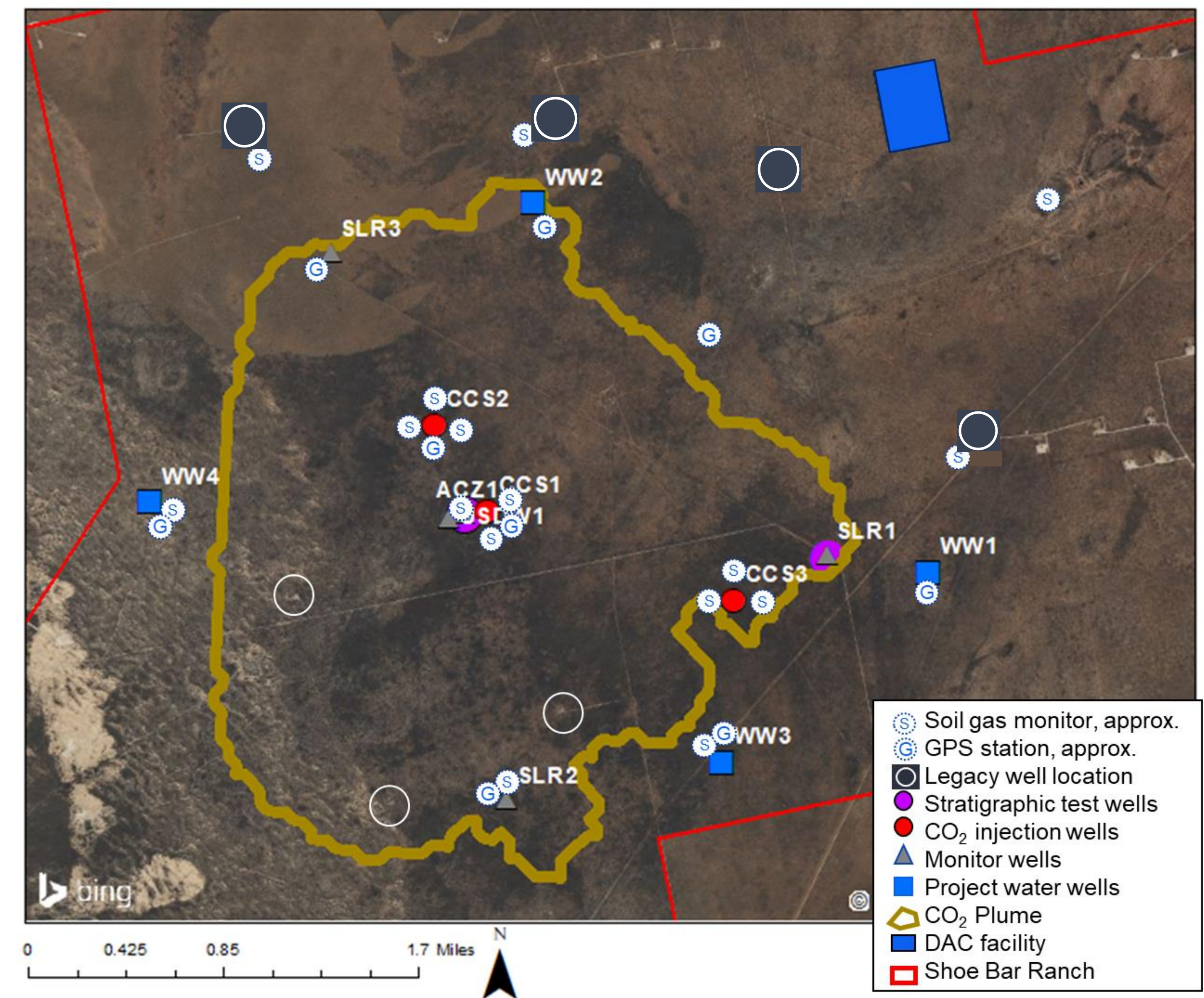


Illustrative only, not to scale



MONITORING TO ENSURE SAFETY

- Continuous observation of injection pressure and temperature data
- Monitoring wells
- Geophysical surveys
- Fluid sampling
- Soil and soil gas sampling
- Seismic studies and passive seismicity monitoring and recording





CO₂ STORAGE SAFETY

50+

YEARS OF EXPERIENCE

0

CO₂ SAFETY INCIDENTS



20M

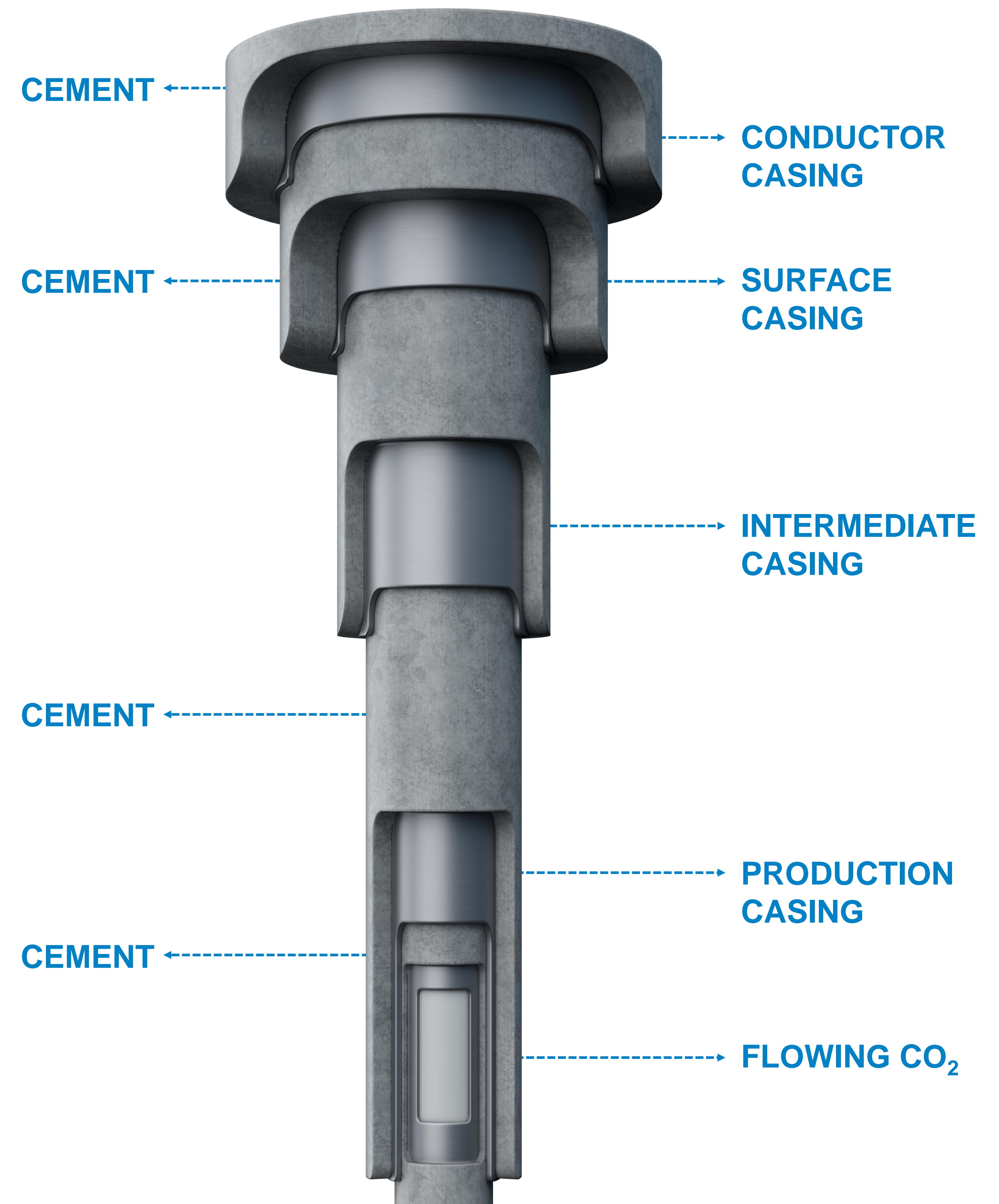
METRIC TONS CO₂ SAFELY STORED ANNUALLY

2,500

MILES OF CO₂ PIPELINES

- Systems are developed with failsafe, redundancy and monitoring
- We have robust emergency plans that include temporary or permanent suspension of CO₂ injection
- Injection wells are engineered to protect underground sources of drinking water and to ensure safe long-term storage

MAKE A DIFFERENCE.



PERMIT APPLICATIONS



In addition to the events and opportunities for the community to learn about the project and provide feedback, a critical part of the permitting process is that the draft permit will be published before approval, allowing the public to review and comment.

- CO₂ injection for sequestration is permitted by the EPA



- Information required for a permit application is extensive and includes:
 - Site characterization of injection and confining zones
 - Well casing and cementing program
 - Corrosion monitoring and prevention plan
 - Well integrity testing plan
 - Geophysical monitoring and fluid testing plan
 - Emergency and remedial response plan
 - Seismicity monitoring plan
 - Post-injection site care and closure plan
 - Financial responsibility

COMMUNITY PARTNERSHIPS

In addition to the direct benefits and increased economic activity, we are committed to creating mutually beneficial partnerships

CHARITABLE PARTNERSHIPS



Oxy has partnered with the West Texas Food Bank since 2018 to support children and families experiencing hunger and food insecurity. Initiatives in 2023-2024 include:

- Odessa Facility Expansion
- WTFB Truck Fleet & Fuel
- Oxy Farmer's Market Pantry
- 1PointFive Nature Gardens



Oxy volunteers assembled and delivered new bicycles and helmets to 325 students at three elementary schools in Ector County ISD.

Oxy and 1PointFive partner with Wish for Wheels to support underserved children in our Houston, Permian, Rockies and Gulf Coast communities.



Oxy and 1PointFive support community first responders with donations for emergency response equipment, safety and rescue gear and priority line-of-duty resources.

- Ector County Sheriff's Department
- Odessa Fire & Rescue
- Odessa Police Department
- South Ector County VFD



Art 2 Go Mobile Arts Education supports over 6,000 students in 33 Permian Basin school districts. Art 2 Go is available in all Ector County ISD elementary schools, and Boys & Girls Club of Permian Basin in summer months.



Oxy and 1PointFive together have committed \$1MM to the Odessa Sports Complex

PROJECT SUPPORTED BY



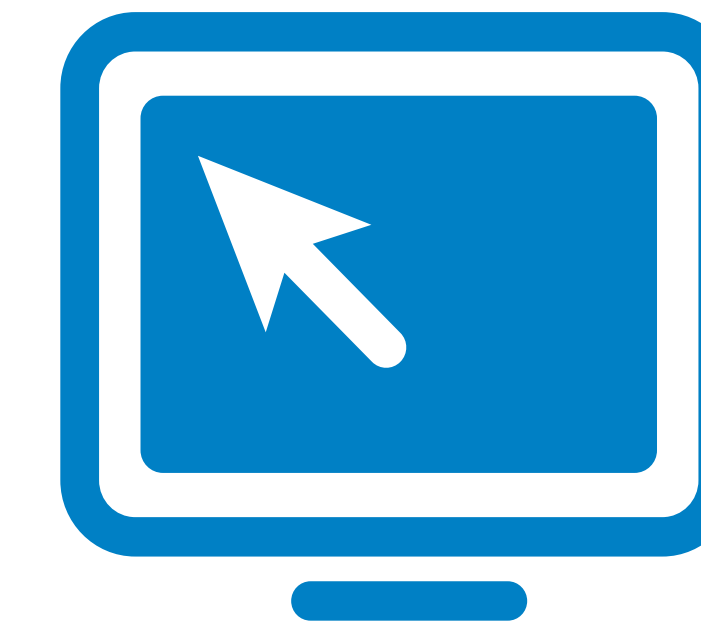


MAKE A DIFFERENCE.

STAKEHOLDER RELATIONS TEAM

Dedicated to communities since 2014

- Your feedback is important to us
- We engage with surrounding communities to share, listen and work with our internal teams to tailor operations to your community
- We are committed to transparency and sharing information proactively
- Our highest priority is to conduct our business in a manner that protects the health, safety, welfare, the environment and wildlife resources



Phone: 866.248.9051
Stakeholder@1PointFive.com
Ector1PointFive.com

